



# SECTION XI: GAS LIFT KICK OVER TOOLS

2013

JP042613

**REBCO**

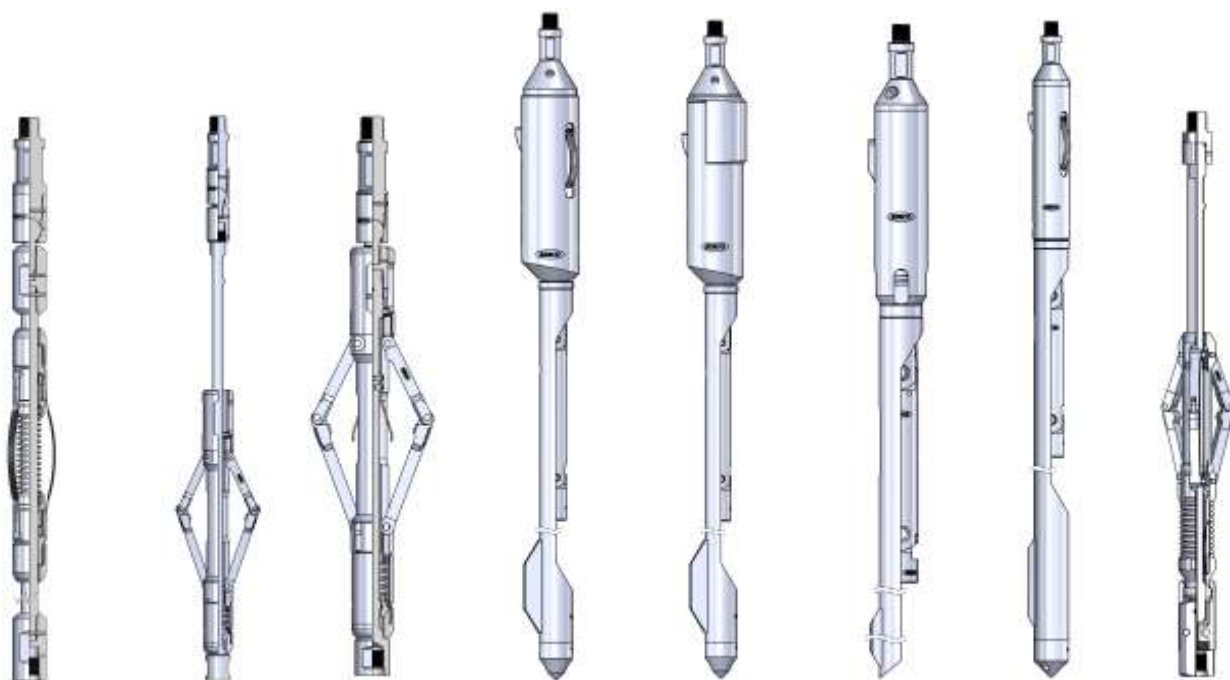
## INDEX of SECTION XI: GAS LIFT - KICK OVER TOOLS

PRODUCT DESCRIPTION	Product Code	Page
<b>KICK OVER TOOLS</b>		
		<b>XI-0-9</b>
'ROTK' and 'ROTAK'	195	1
'ROTL' and 'ROTL2-D'	194	1
'ROKOK-5'	192	2,3
'ROKOK-6'	192	4
'ROTOM-1'	191	5-8
'ROTOM-5'	191	8
'ROTR'	193	9

Gas Lift operations are efficient and cost efficient means of optimizing the production rates of the wells.

In this Section, **Rebco** presents the KOT's (**Kick-Over Tools**) offered. The **Running** and **Pulling** Tools, as well as some of the **Accessories** required, are listed in Sections, 3 and 4.

Chart: Kick-Over Tools available from **Rebco**



'ROTK' 'ROTAK' 'ROTL' 'ROTL-2D' 'ROKOK-5' 'ROKOK-6' 'ROTOM-1' 'ROTOM-5' 'ROTR'



# SECTION XI: GAS LIFT KICK OVER TOOLS

2013

JP042613

**REBCO**

Product Code: 195

Type **'ROTK'** and **'ROTAK'** Kick-Over Tool (KOT) Assembly: **2" - 2 1/2", 3", 1 1/2"**

*Rebco* Type **'ROTK'** KOT is used to install and retrieve 1" OD side pocket sub-surface control devices into Side Pocket Mandrels (SPM).



NOMINAL SIZE	1 1/2"	2" - 2 1/2"	3"
ASSEMBLY NUMBER	19500241500	195242250	195243000
KICK OVER TOOL TYPE	Type <b>'ROTAK'</b>	Type <b>'ROTK'</b>	Type <b>'ROTK'</b>

### ENGINEERING DATA:

PIN THREAD CONNECTION	15/16" - 10	15/16" - 10	15/16" - 10
FISHING NECK OD	1.187"	1.375"	1.375"
LENGTH	29.37"	29.72"	29.72"
MATERIAL	Alloy	Alloy	Alloy

Product Code: 194

Type **'ROTL'** Kick-Over Tool (KOT) Assembly: **2" - 2 1/2"**

*Rebco* Type **'ROTK'** KOT is used to install and retrieve 1" and 1 1/2" OD Sub-surface control devices into Side Pocket Mandrels (SPM).

NOMINAL SIZE	2" - 2 1/2"
ASSEMBLY NUMBER	194082250
KICK OVER TOOL TYPE	Type <b>'ROTL'</b>

### ENGINEERING DATA:

PIN THREAD CONNECTION	15/16" - 10
FISHING NECK OD	1.187"
LENGTH	29.94"
MATERIAL	Alloy

'ROTK' Series KOT



Type 'ROTL' KOT

Product Code: 194

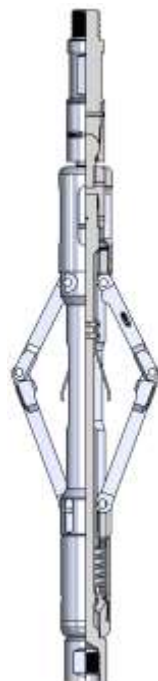
Type **'ROTL-2D'** Kick-Over Tool (KOT) Assembly: **2" - 2 1/2", 3"**

*Rebco* Type **'ROTL-2D'** KOT is used to install and retrieve 1" and 1 1/2" OD Sub-surface control devices into Side Pocket Mandrels (SPM).

NOMINAL SIZE	2" - 2 1/2"	3"
ASSEMBLY NUMBER	194082032250	194082033000
KICK OVER TOOL TYPE	Type <b>'ROTL-2D'</b>	Type <b>'ROTL-2D'</b>

### ENGINEERING DATA:

PIN THREAD CONNECTION	15/16" - 10	15/16" - 10
FISHING NECK OD	1.187"	1.187"
LENGTH	21"	21"
MATERIAL	Alloy	Alloy



Type 'ROTL-2D' KOT

Page XI-1

**Rebco Oil Tools, Inc.** Calgary, Alberta, Canada

Telephone: (403) 243-1380 Fax: (403) 243-0425 E-Mail: [info@rebcooiltools.com](mailto:info@rebcooiltools.com)

This Document describes the ROT Equipment; the intent is to relate the information to the user; there are no guarantees stated or implied as to the results and function of the Equipment.



# SECTION XI: GAS LIFT KICK OVER TOOLS

2013

JP042613

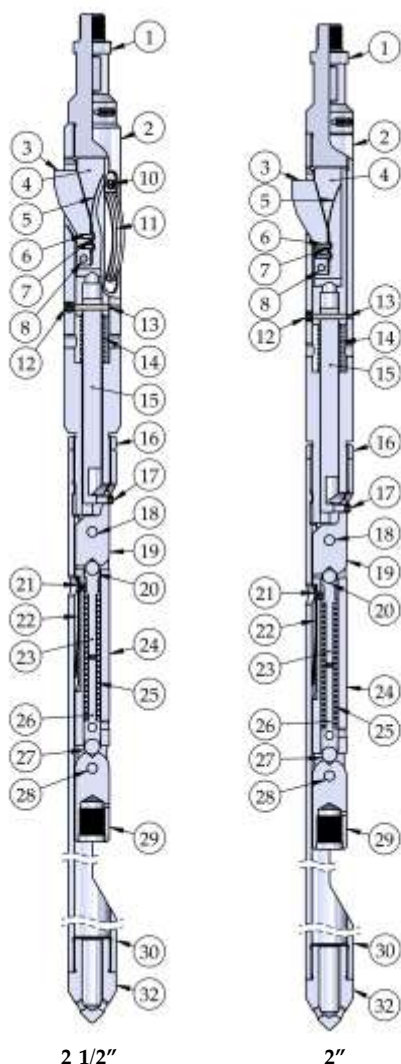
REBCO

Product Code: 192

## Type 'ROKOK-5' Kick-Over Tool (KOT) Assembly: 2" – 4 1/2"

*Rebco* Type 'ROKOK-5' KOT is used to install and retrieve 1" OD side pocket sub-surface control devices into Side Pocket Mandrels (SPM).

Type 'ROKOK-5' Kick-Over Tools have spring type centralizers (DET 11).



Type 'ROKOK-5' KOT

NOMINAL SIZE	2"	2 1/2"
ASSEMBLY NUMBER	192202452000	192202452500

DET	PART NAME	QTY	PART NO	PART NO
1	FISHING NECK	1	5522903001	5522903001
2	FINGER CAGE	1	5522903002	5522904001
3	LOCATING FINGER	1	5522905004	5522905004
4	FINGER HOUSING	1	5522903003	5522903003
5 *	LEAF SPRING	2	900026	900026
6 *	BUTTON HEAD SCREW	2	185310250	185310250
7 *	LOCK WASHER	2	184172230	184172230
8 *	FINGER PIN	1	9110141210	9110141210
10 *	SOCKET BUTTON SCREW	2	None	185300380
11 *	CENTRALIZER SPRING	2	None	900024
12 *	SET SCREW	1	185508210187	185508210250
13 *	SHEAR PIN	1	9110131187	9110131187
14 *	RETURN SPRING	1	900019	900019
15	RELEASE PLUNGER	1	5522903008	5522903008
16	LOCK RING	1	5522903009	5522903009
17 *	LOCKING SCREW	1	185007110625	185007110625
18 *	ARM PIN – (UPPER)	1	5522289007	5522289007
19	ARM ADAPTER	1	5522903005	5522903005
20 *	BALL	1	930189	930189
21 *	LOCKING SCREW	1	18525011640	18525011640
22 *	KICK SPRING	2	900029	900029
23	SPRING INSERT	1	5522903015	5522903015
24	ARM	1	5522903006	5522903006
25 *	DETENT SPRING	1	900018	900018
26	BALL SEAT	1	5522903015	5522903015
27	BALL	1	930190	930190
28 *	ARM PIN – (LOWER)	1	5522289007	5522289007
29	LOWER ADAPTER	1	5522903007	5522903007
30	HOUSING	1	5522903010	5522903010
32	NOSE	1	5522903011	5522903011
<b>REDRESS KIT (* Included as part of Kit)</b>			<b>1922024524200</b>	<b>1922024524250</b>

**ENGINEERING DATA:**

MAXIMUM OD	1.750"	2.063"
Tubing ID required for proper tool orientation	1.945"	2.437"
PIN THREAD CONNECTION	15/16" – 10	15/16" – 10
FISHING NECK OD	1.375"	1.375"
LENGTH	64 7/8"	67.0"
MATERIAL	Alloy	Alloy
WEIGHT lbs (kg)	18.0 (8.2)	18.3 (8.30)

**ACCESSORY:**

Service Tool: Type 'ST' for Detent Spring	5514151
---	---------



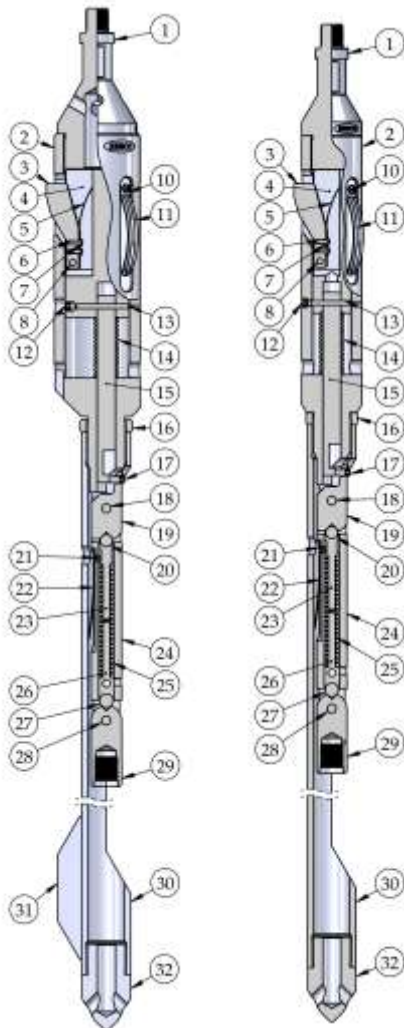
# SECTION XI: GAS LIFT KICK OVER TOOLS

2013

JP042613

REBCO

## Type 'ROKOK-5' Kick-Over Tool (KOT) Assembly: Continued



4 1/2"

3"

Type 'ROKOK-5' KOT

NOMINAL SIZE	3"	4 1/2"
ASSEMBLY NUMBER	192202453000	192202454500

DET	PART NAME	QTY	PART NO	PART NO
1	FISHING NECK	1	5522905001	5522907001
2	FINGER CAGE	1	5522905002	5522907002
3	LOCATING FINGER	1	5522905003	5522905004
4	FINGER HOUSING	1	5522905003	5522907003
5 *	LEAF SPRING	2	900026	900026
6 *	BUTTON HEAD SCREW	2	185310250	185310250
7 *	LOCK WASHER	2	184172230	184172230
8 *	FINGER PIN	1	9110141000	9110141000
10 *	SOCKET BUTTON SCREW	2	185300380	185300380
11 *	CENTRALIZER SPRING	2	900024	900024
12 *	SET SCREW	1	185508210312	185508210250
13 *	SHEAR PIN	1	9110131500	9110132125
14 *	RETURN SPRING	1	900020	900020
15	RELEASE PLUNGER	1	5522905005	5522905005
16	LOCK RING	1	5522905006	5522905006
17 *	LOCKING SCREW	1	185007110625	185007110625
18 *	ARM PIN – (UPPER)	1	5522289007	5522289007
19	ARM ADAPTER	1	5522903005	5522903005
20 *	BALL	1	930189	930189
21 *	LOCKING SCREW	1	18525011640	18525011640
22 *	KICK SPRING	2	900029	900029
23	SPRING INSERT	1	5522903015	5522903015
24	ARM	1	5522903006	5522903006
25 *	DETENT SPRING	1	900018	900018
26	BALL SEAT	1	5522903015	5522903015
27	BALL	1	930190	930190
28 *	ARM PIN – (LOWER)	1	5522289007	5522289007
29	LOWER ADAPTER	1	5522903007	5522903007
30	HOUSING	1	5522291006	5522905006
31	SKATE	1	Available	5522907004
32	NOSE	1	5522905008	5522905008
30/31	Housing Sub-Assembly	REF	Available	5522202905006
REDRESS KIT (* Included as part of Kit)			1922024524200	1922024524250

**ENGINEERING DATA:**

MAXIMUM OD	2.500"	3.500"
Tubing ID required for proper tool orientation	2.921"	3.958"
PIN THREAD CONNECTION	15/16" – 10	15/16" – 10
FISHING NECK OD	1.375"	1.375"
LENGTH	71 1/8"	71 7/8"
MATERIAL	Alloy	
WEIGHT lbs (kg)	22.0 (9.98)	48.0 (21.7)

**ACCESSORY:**

Service Tool: Type 'ST' for Detent Spring	5514151
---	---------



# SECTION XI: GAS LIFT KICK OVER TOOLS

2013

JP042613

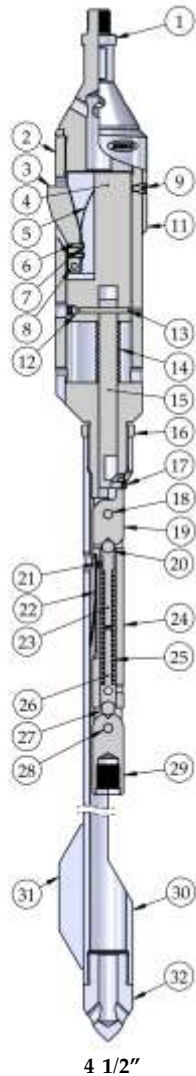
REBCO

Product Code: 192

## Type 'ROKOK-6' Kick-Over Tool (KOT) Assembly: 2 1/2" – 4 1/2"

Rebco Type 'ROKOK-6' KOT is used to install and retrieve 1" OD side pocket sub-surface control devices into Side Pocket Mandrels (SPM).

Type 'ROKOK-6' Kick-Over Tools have sleeve type centralizer (DET 11).



4 1/2"

Type 'ROKOK-6' KOT

NOMINAL SIZE	2 7/8"	3"	4 1/2"
ASSEMBLY NUMBER	192202462500	192202463000	192202464500

DET	PART NAME	QTY	PART NO	PART NO	PART NO
1	FISHING NECK	1	5522296001	5522291001	5522301001
2	FINGER CAGE	1	5522296003	5522291003	5522301003
3	LOCATING FINGER	1	5522905004	5522905004	5522905004
4	FINGER HOUSING	1	5522903003	5522905003	5522907003
5 *	LEAF SPRING	2	900026	900026	900026
6 *	BUTTON HEAD SCREW	2	18531250	18531250	18531250
7 *	LOCK WASHER	2	184172230	184172230	184172230
8 *	FINGER PIN	1	18830412104	18830412104	18830412104
9 *	SET SCREW	1	18556210250	18556210250	18556210375
11	CENTRALIZER SLEEVE	1	5522296002	5522291002	5522301002
12 *	SET SCREW	1	18558210250	18558210250	18558210250
13 *	SHEAR PIN	1	9110131187	9110131500	9110132125
14 *	RETURN SPRING	1	900019	900020	900020
15	RELEASE PLUNGER	1	5522903008	5522905005	5522905005
16	LOCK RING	1	5522903009	5522905006	5522905006
17 *	LOCKING SCREW	1	18507110625	18507110625	18507110625
18 *	ARM PIN – (UPPER)	1	5522289007	5522289007	5522906005
19	ARM ADAPTER	1	5522903005	5522903005	5522903005
20 *	BALL	1	1836032	1836032	1836032
21 *	LOCKING SCREW	1	18566210250	18566210250	18566210250
22 *	KICK SPRING	2	900029	900029	900029
23	SPRING INSERT	1	5522903015	5522903015	5522903015
24	ARM	1	5522903006	5522903006	5522903006
25 *	DETENT SPRING	1	900018	900018	900018
26	BALL SEAT (Sub-Ass'y)	1	552220255001	552220255001	552220255001
27	BALL (Reference)	1	1836036	1836036	1836036
28	ARM PIN – (LOWER)	1	5522289007	5522289007	5522289007
29	LOWER ADAPTER	1	5522903007	5522903007	5522903007
30 - 31	HOUSING SUB-ASS'Y	1	-	552220905001	552220905002
30	HOUSING	1	5522903010	5522291006	5522291006
31	SKATE	1	None	5522907004	5522907004
32	NOSE	1	5522903011	5522905008	5522905008
<b>REDRESS KIT (* Included as part of Kit)</b>			<b>1922024624250</b>	<b>1922024624300</b>	<b>1922024624450</b>

**ENGINEERING DATA:**

	2.223"	2.500"	3.500"
MAXIMUM OD	2.223"	2.500"	3.500"
Tubing ID required for proper tool orientation	2.437"	2.921"	3.958"
PIN THREAD CONNECTION	15/16" – 10	15/16" – 10	15/16" – 10
FISHING NECK OD	1.375"	1.375"	1.375"
LENGTH	67.0"	71.125"	71.87"
MATERIAL	Alloy	Alloy	Alloy
WEIGHT lbs (kg)	18.0 (8.2)	22.0 (9.98)	48.0 (21.7)

**ACCESSORY:**

Service Tool: Type 'ST' for Detent Spring	<b>5514151</b>
---	----------------



# SECTION XI: GAS LIFT KICK OVER TOOLS

2013

JP042613

REBCO

**Product Code: 191**

## Type 'ROTOM-1' Kick-Over Tool (KOT) Assembly: 2" – 7"

Rebco Type 'ROTOM-1' KOT is used to install and retrieve 1 1/2" OD side pocket sub-surface control devices into Side Pocket Mandrels (SPM).

**NOTE:** Type 'ROTOM-1' Kick-Over Tools are available (Variation) with or without Catcher Sub-Assembly (DET 29-31), when ordering, please specify.

NOMINAL SIZE	2"	2 1/2"	3"
ASSEMBLY NUMBER	191200912000	191200912500	191200913000

DET	PART NAME	QTY	PART NO	PART NO	PART NO
1	FISHING NECK	1	5322298001	5322299001	5322296001
2	LOCATING FINGER	1	5322289009	5322289009	5322289009
3	SPRING BASE	1	None	None	5322296019
4	FINGER HOUSING	1	5322298002	5322299003	5322296003
5 *	LEAF SPRING	2	900026	900026	900026
6	FINGER CAGE	1	5322289001	5322299002	5322296002
7 *	BUTTON HEAD SCREW	2	18531250	18531250	18531250
8 *	LOCK WASHER	2	184172230	184172230	184172230
9 *	FINGER PIN	1	9111441000	9111441000	9111441875
10	RETURN SPRING	1	900017	900017	900017
11 *	SHEAR PIN	1	9110141187	9110141187	9110141187
12	RELEASE PLUNGER	1	5322296004	5322296004	5322296004
13	RELEASE SPRING	1	None	None	900028
14	LOCK RING	1	5322298003	5322296006	5322296006
15 *	LOCKING SCREW	1	185008110750	185008110750	185008110750
16	ARM ADAPTER	1	5322298004	5322299005	5322296009
17	ARM PIN	2	5322298005	5322296008	5322296008
18 *	SHEAR PIN	1	None	9110131750	9110131750
19 *	CAP SCREW	1	18525010500	18525010500	18525010500
20 *	SHEAR PIN	1	9110131750	9110131750	9110131750
21 *	SET SCREW	1	185508210375	185508210375	185508210375
23 *	KICK SPRING	Noted	900023 (2)	900023 (2)	900023 (3)
24	SPRING HINGE	1	5322298016	5322297009	5322297009
25	ARM	1	5322298017	5322299007	5322296024
26	SHEAR PIN	1	9110131620	9110131750	9110131750
27	SET SCREW	1	185506210375	185506210375	185506210375
28	LOWER ADAPTER	1	5322298018	5322297011	5322297011
29	HOUSING	1	5322298009	5322299006	5322296049
<b>REDRESS KIT (* Included as part of Kit)</b>			<b>191200924200</b>	<b>191200924250</b>	<b>191200924300</b>

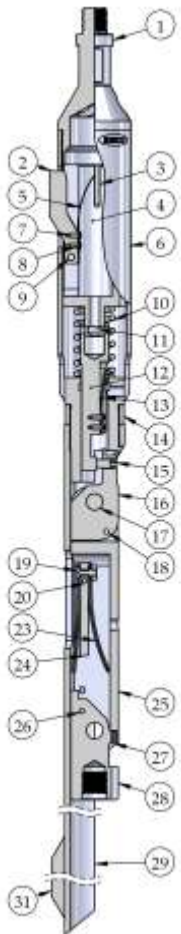
**ENGINEERING DATA:**

<b>VARIATION Available, See Note</b>			<b>YES <sup>Note</sup></b>
MAXIMUM OD	1.859"	2.223"	2.739"
PIN THREAD CONNECTION	15/16" – 10	15/16" – 10	15/16" – 10
FISHING NECK OD	1.375"	1.375"	1.375"
LENGTH	88.687"	81.750"	81.875"
MATERIAL	Alloy	Alloy	Alloy
WEIGHT lbs (kg)	18.1 (8.21)	18.4 (8.35)	37.7 (17.1)

**ACCESSORY:**

<b>SPACER BAR - (1 1/2" x 11 1/4")</b>	<b>5500819</b>	<b>5500819</b>	<b>5500819</b>
--	----------------	----------------	----------------

**Note:** 3" Type 'ROTOM-1' - Assembly Number **191200913001** - is with Valve Catcher





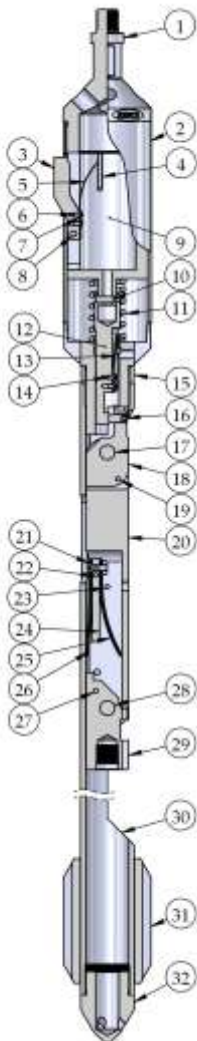
# SECTION XI: GAS LIFT KICK OVER TOOLS

2013

JP042613

REBCO

## Type 'ROTOM-1' Kick-Over Tool (KOT) Assembly: Continued



NOMINAL SIZE	4"
ASSEMBLY NUMBER	191200914500

DET	PART NAME	QTY	PART NO
1	FISHING NECK	1	5322297001
2	FINGER CAGE	1	5322297002
3	LOCATING FINGER	1	5322289009
4	SPRING BASE	1	5322297006
5 *	LEAF SPRING	2	900026
6 *	BUTTON HEAD SCREW	2	18531250
7 *	LOCK WASHER	2	184172230
8 *	FINGER PIN	1	9111441000
9	FINGER HOUSING	1	5322297003
10 *	SHEAR PIN	1	9110131000
11	CORE SPRING	1	900017
12	RELEASE PLUNGER	1	5322296004
13 *	RELEASE SPRING	1	900028
14 *	SCREW	2	18531250
	LOCK WASHER	2	184172230
15	LOCK RING	1	5322296006
16 *	LOCKING SCREW	1	185008110750
17	UPPER ARM PIN	1	5322296008
18	ARM ADAPTER	1	5322296009
19 *	SHEAR PIN	1	9110131750
20	ARM	1	5322297008
21 *	CAP SCREW	1	18525010500
22 *	SHEAR PIN	1	9110131375
23 *	SHEAR PIN	1	9110131500
24	SPRING HINGE	1	5322297009
25	KICK SPRING	2	900023
26	INTERNAL KICK SPRING	3	900023
27	SHEAR PIN	1	9110131375
28	LOWER ARM PIN	1	5322296008
29	LOWER ADAPTER	1	5322297011
	<b>SUB-ASSEMBLY (DET 30 - 32)</b>		<b>19120091450</b>
30	HOUSING	1	5322297052
31	SKATE (Sleeve)	1	5322297051
32	NOSE	1	5322297053
	<b>REDRESS KIT (* Included as part of Kit)</b>		<b>1912009124450</b>

### ENGINEERING DATA:

MAXIMUM OD	3.723"
PIN THREAD CONNECTION	15/16" - 10
FISHING NECK OD	1.375"
LENGTH	81.75"
MATERIAL	Alloy
WEIGHT lbs (kg)	55.5 (25.17)

### ACCESSORY:

SPACER BAR - (1 1/2" x 11 1/4")	5500819
---------------------------------	---------



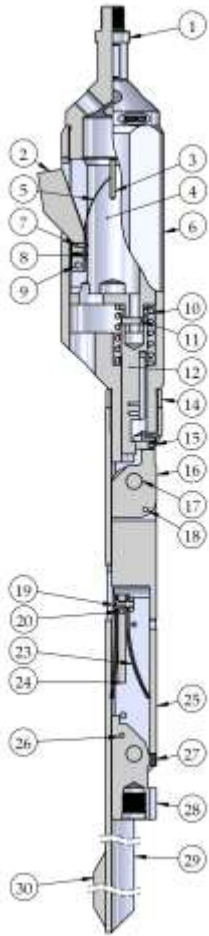
# SECTION XI: GAS LIFT KICK OVER TOOLS

2013

JP042613

REBCO

## Type 'ROTOM-1' Kick-Over Tool (KOT) Assembly: Continued



NOMINAL SIZE	5"	5" <small>NOTE</small>
ASSEMBLY NUMBER	191200915000	191200915001

DET	PART NAME	QTY	PART NO	PART NO
1	FISHING NECK	1	5322297001	5322297010
2	LOCATING FINGER	1	5322268009	5322268009
3	SPRING BASE	1	5322297006	5322297006
4	FINGER HOUSING	1	5322268002	5322268002
5 *	LEAF SPRING	2	900027	900027
6	FINGER CAGE	1	5322268001	5322268010
7 *	BUTTON HEAD SCREW	2	18531250	18531250
8 *	LOCK WASHER	2	184172230	184172230
9 *	FINGER PIN	1	9111441680	9111441680
10	RETURN SPRING	1	900017	900017
11 *	SHEAR PIN	1	9110141187	9110141187
12	RELEASE PLUNGER	1	5322296004	5322296004
14	LOCK RING	1	5322296006	5322296006
15 *	LOCKING SCREW	1	185008110750	185008110750
16	ARM ADAPTER	1	5322296009	5322296009
17	ARM PIN	2	5322296008	5322296008
18 *	SHEAR PIN	1	9110131750	9110131750
19 *	CAP SCREW	1	18525010500	18525010500
20 *	SHEAR PIN	1	9110131750	9110131750
21 *	SET SCREW	1	185508210375	185508210375
23 *	KICK SPRING	Noted	900023 (4)	900023 (4)
24	SPRING HINGE	1	5322297009	5322297009
25	ARM	1	5322297008	5322297008
26	SHEAR PIN	1	9110131750	9110131750
27	SET SCREW	1	185506210375	185506210375
28	LOWER ADAPTER	1	5322297011	5322297011
29	HOUSING	1	5322268054	5322268054
30	SKATE	1	5322268056	5322268056
<b>REDRESS KIT (* Included as part of Kit)</b>			<b>191200924500</b>	<b>191200924500</b>

**ENGINEERING DATA:**

MAXIMUM OD	4.068"	3.920"
PIN THREAD CONNECTION	15/16" - 10	15/16" - 10
FISHING NECK OD	1.375"	1.375"
LENGTH	82.187"	82.187"
MATERIAL	Alloy	Alloy
WEIGHT lbs (kg)	50.0 (22.68)	49.0 (22.23)

**ACCESSORY:**

SPACER BAR - (1 1/2" x 11 1/4")	5500819	5500819
---------------------------------	---------	---------

**Note:** Assembly No 191200915001 is Special OD to pass through 4.125" SSSV





# SECTION XI: GAS LIFT KICK OVER TOOLS

2013

JP042613

**REBCO**

## Type 'ROTOM-1' Kick-Over Tool (KOT) Assembly: Continued

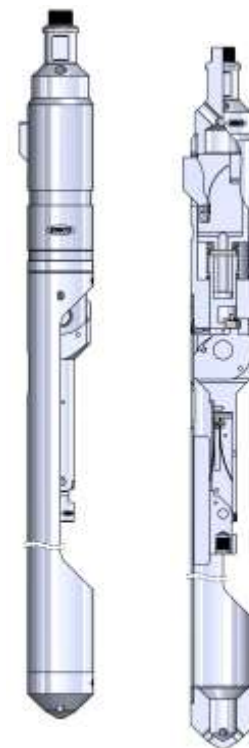
NOMINAL SIZE	5 1/2"
ASSEMBLY NUMBER	191200915500

### ENGINEERING DATA:

MAXIMUM OD	4.250"
PIN THREAD CONNECTION	1 9/16" – 10
FISHING NECK OD	2.313"
LENGTH	78.125"
MATERIAL	Alloy
WEIGHT lbs (kg)	97.5 (44.23)

### ACCESSORY:

SPACER BAR	5500819
------------	---------



Product Code: 191

## Type 'ROTOM-5' Kick-Over Tool (KOT) Assembly: 3 1/2"

**Rebco** Type 'ROTOM-5' KOT is used to install and retrieve 1 1/2" OD side pocket sub-surface control devices into Side Pocket Mandrels (SPM).

Type 'ROTOM-5' KOT uses a ball detent and detent spring design to ease redress procedure in the field.



NOMINAL SIZE	2 1/2"	3 1/2"
ASSEMBLY NUMBER	191200952500	191200953500

### ENGINEERING DATA:

MAXIMUM OD (Centralizing Retracted)	2.250"	2.531"
PIN THREAD CONNECTION	15/16" – 10	15/16" – 10
FISHING NECK OD	1.375"	1.375"
LENGTH	93.812"	93.812"
MATERIAL	Alloy	Alloy
WEIGHT lbs (kg)	19.6 (8.9)	25.0 (11.3)

### ACCESSORY:

SPACER BAR - (1 1/2" x 11 1/4")	5500819	5500819
---------------------------------	---------	---------



# SECTION XI: GAS LIFT KICK OVER TOOLS

2013

JP042613

**REBCO**

Product Code: 193

Type '**ROTR**' Kick-Over Tool (KOT) Assembly: **2" - 2 1/2" and 3 1/2"**



*Rebro* Type '**ROTR**' KOT is used to install and retrieve **1 1/2"** OD side pocket sub-surface control devices into Side Pocket Mandrels (**SPM**).

NOMINAL SIZE	2"	2 1/2"	3 1/2"
ASSEMBLY NUMBER	19313202000	19313202500	19313203000

**ENGINEERING DATA:**

MAXIMUM OD - Arms Retracted	1.859"	2.281"	2.500"
MAXIMUM OD - Arms Open	3.813"	3.813"	5.688"
PIN THREAD CONNECTION	15/16" - 10	15/16" - 10	15/16" - 10
BOX THREAD CONNECTION	15/16" - 10	15/16" - 10	15/16" - 10
LENGTH	27 1/8"	27 1/8"	30 1/2"
MATERIAL	Alloy	Alloy	Alloy